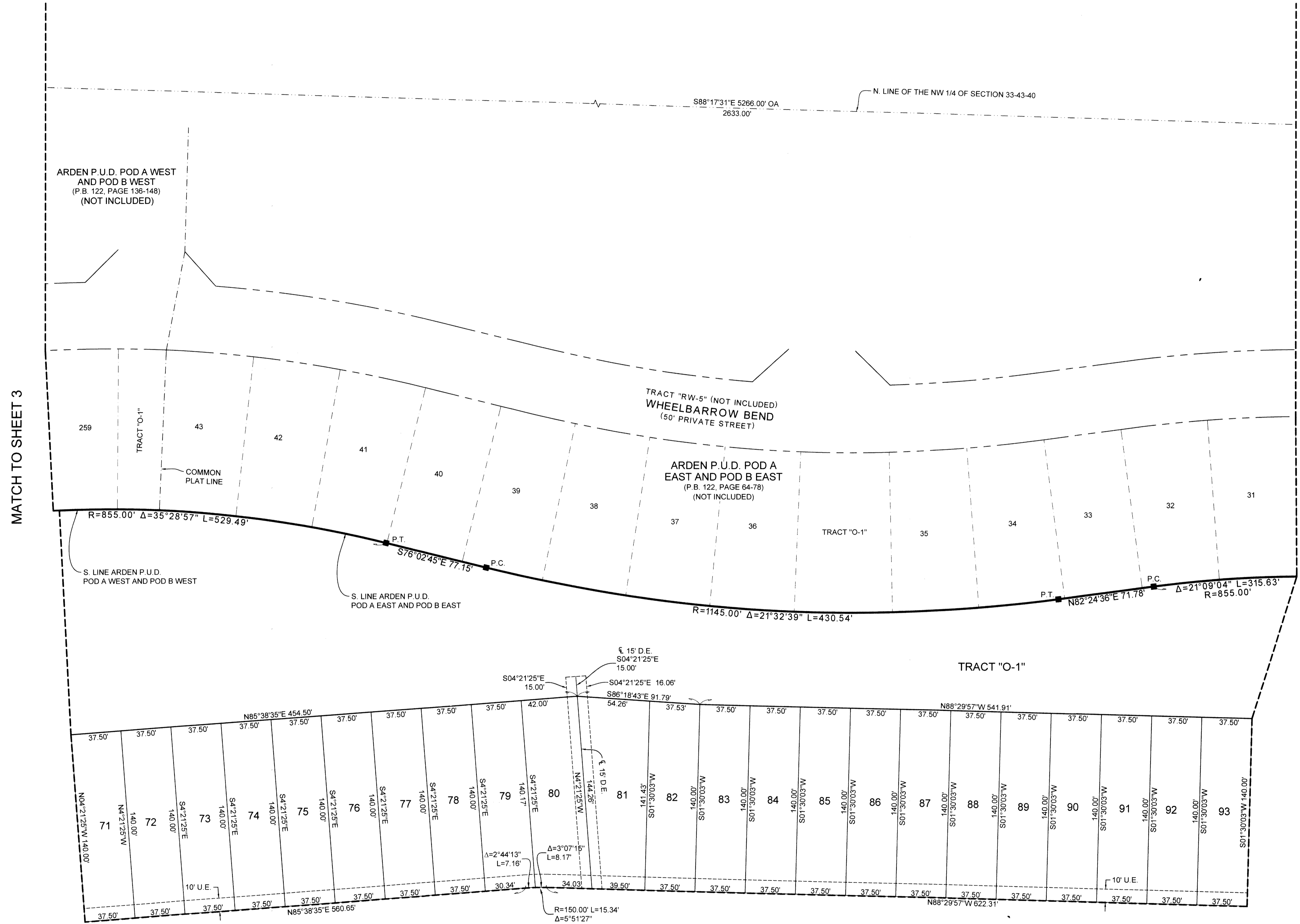


ARDEN P.U.D. POD K

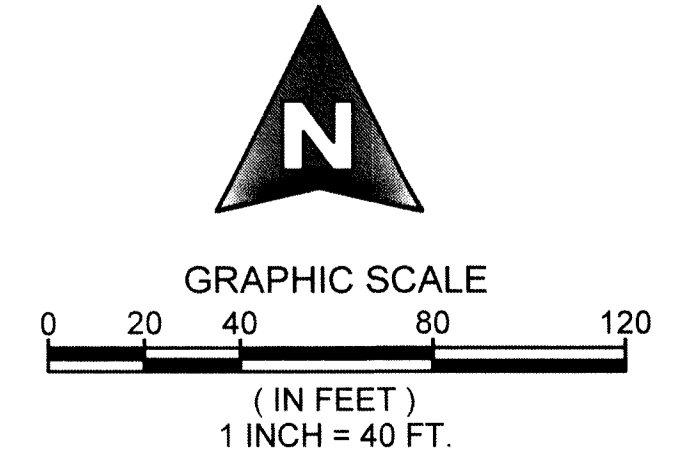
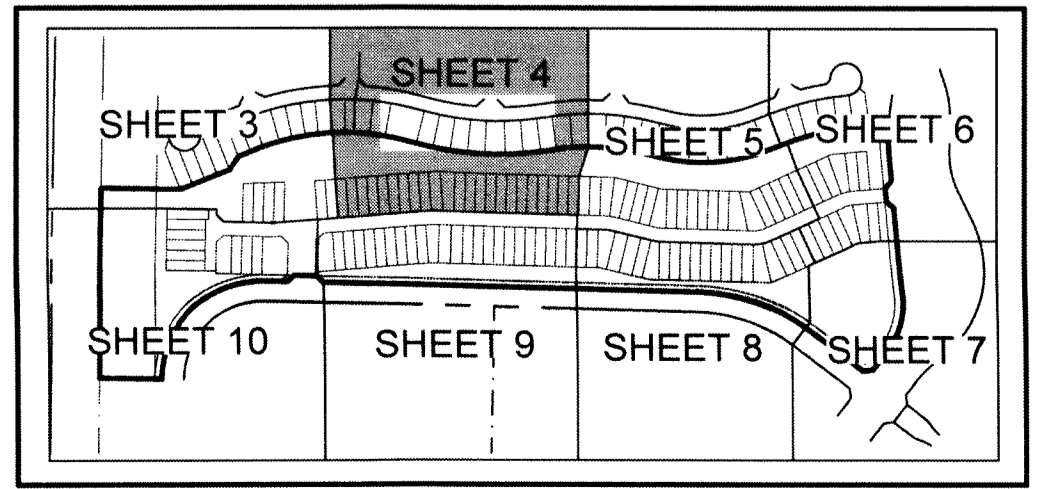
BEING A REPLAT OF A PORTION OF TRACT "FD", ARDEN P.U.D. PLAT 1, AS RECORDED IN PLAT BOOK 122, PAGES 32 THROUGH 51, PUBLIC RECORDS OF PALM BEACH COUNTY, FLORIDA, AND LYING IN SECTION 33, TOWNSHIP 43 SOUTH, RANGE 40 EAST, PALM BEACH COUNTY, FLORIDA.

79

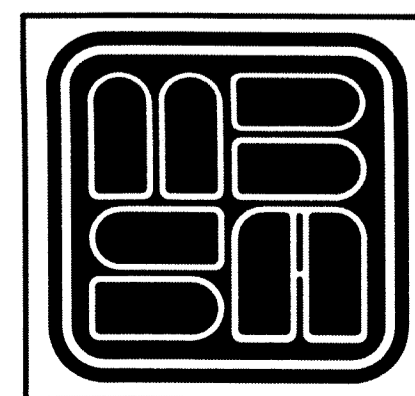


- LEGEND**
- P.O.C. = POINT OF COMMENCEMENT
 - P.O.B. = POINT OF BEGINNING
 - P.C.P. = PERMANENT CONTROL POINT
 - P.R.M. = PERMANENT REFERENCE MONUMENT
 - O.R.B. = OFFICIAL RECORD BOOK
 - P.B. = PLAT BOOK
 - PGS. = PAGES
 - D.B. = DEED BOOK
 - P.B.C. = PALM BEACH COUNTY
 - R.W. = RIGHT OF WAY
 - C. = CENTERLINE
 - U.E. = UTILITY EASEMENT
 - D.E. = DRAINAGE EASEMENT
 - R. = RADIUS
 - L. = ARC LENGTH
 - Δ = CURVE CENTRAL ANGLE
 - ⊙ = FOUND PALM BEACH COUNTY DISK IN CONCRETE
 - ⊙ = SET NAIL AND ALUMINUM DISK, STAMPED P.C.P. LB 2438
 - ⊙ = SET 4"x4"x24" C.M. WITH ALUMINUM DISK, STAMPED PRM LB 2438
 - ⊙ = FOUND MAG NAIL AND 1 1/4" BRASS WASHER STAMPED PRM LB 2438
 - ⊙ = FOUND 4"x4"x24" C.M. WITH ALUMINUM DISK, STAMPED P.R.M. L.B. 2438
 - = LAKE MAINTENANCE EASEMENT
 - = CHORD LENGTH
 - = CHORD BEARING
 - = LAKE MAINTENANCE ACCESS EASEMENT
 - = RADIAL LINE
 - N. = NORTHING, WHEN USED WITH COORDINATES
 - E. = EASTING, WHEN USED WITH COORDINATES
 - S.E. = SEWER EASEMENT
 - W.E. = WATER EASEMENT
 - L.A.E. = LIMITED ACCESS EASEMENT
 - L.S.E. = LIFT STATION EASEMENT
 - FD. = FOUND
 - OA. = OVERALL
 - C.M. = CONCRETE MONUMENT
 - F.P.L. = FLORIDA POWER AND LIGHT
 - L.E. = LANDSCAPE EASEMENT
 - NO. = NUMBER
 - P.B.C.U.E. = PALM BEACH COUNTY UTILITY EASEMENT
 - P.S.M. = PROFESSIONAL SURVEYOR AND MAPPER
 - D.O.T. = DEPARTMENT OF TRANSPORTATION
 - FDOT. = FLORIDA DEPARTMENT OF TRANSPORTATION
 - P.U.D. = PLANNED UNIT DEVELOPMENT
 - W.M.E. = WATER MANAGEMENT EASEMENT
 - W.M.A.E. = WATER MANAGEMENT ACCESS EASEMENT
 - S.E. = SIDEWALK EASEMENT
 - NPBCID. = NORTHERN PALM BEACH COUNTY IMPROVEMENT DISTRICT
 - LB. = LICENSE NUMBER
 - EB. = PROFESSIONAL ENGINEER BUSINESS LICENSE NUMBER
 - P.C. = POINT OF CURVATURE
 - P.T. = POINT OF TANGENCY
 - P.R.C. = POINT OF REVERSE CURVATURE
 - N.T. = POINT OF NON TANGENCY
 - SECTION 33/28-43-40. = SECTIONS 33 AND 28, TOWNSHIP 43 SOUTH, RANGE 40 EAST
 - OHME. = OVERHANG MAINTENANCE EASEMENT
 - = MATCH LINE
 - ⊕ = SECTION CORNER
 - ⊕ = 1/4 SECTION CORNER

COORDINATE NOTE:
 STATE PLANE COORDINATES SHOWN ARE GRID DATUM, NAD 83, 1990 ADJUSTMENT, FLORIDA EAST ZONE, COORDINATE SYSTEM
 1983 STATE PLANE, TRANSVERSE MERCATOR PROJECTION
 LINEAR UNIT = US SURVEY FEET
 ALL DISTANCES ARE GROUND
 SCALE FACTOR = 0.99999219
 GROUND DISTANCE X SCALE FACTOR = GRID DISTANCE
 BEARINGS AS SHOWN HEREON ARE GRID DATUM, NAD 83, 1990 ADJUSTMENT, FLORIDA EAST ZONE.



SHEET 4 OF 10



MICHAEL B. SCHORAH & ASSOCIATES, INC.
 1850 FOREST HILL BLVD., SUITE 206
 WEST PALM BEACH, FLORIDA 33406
 EB# 2438 TEL. (561) 968-0080 FAX. (561) 642-9726 LB# 2438

ARDEN P.U.D. POD K